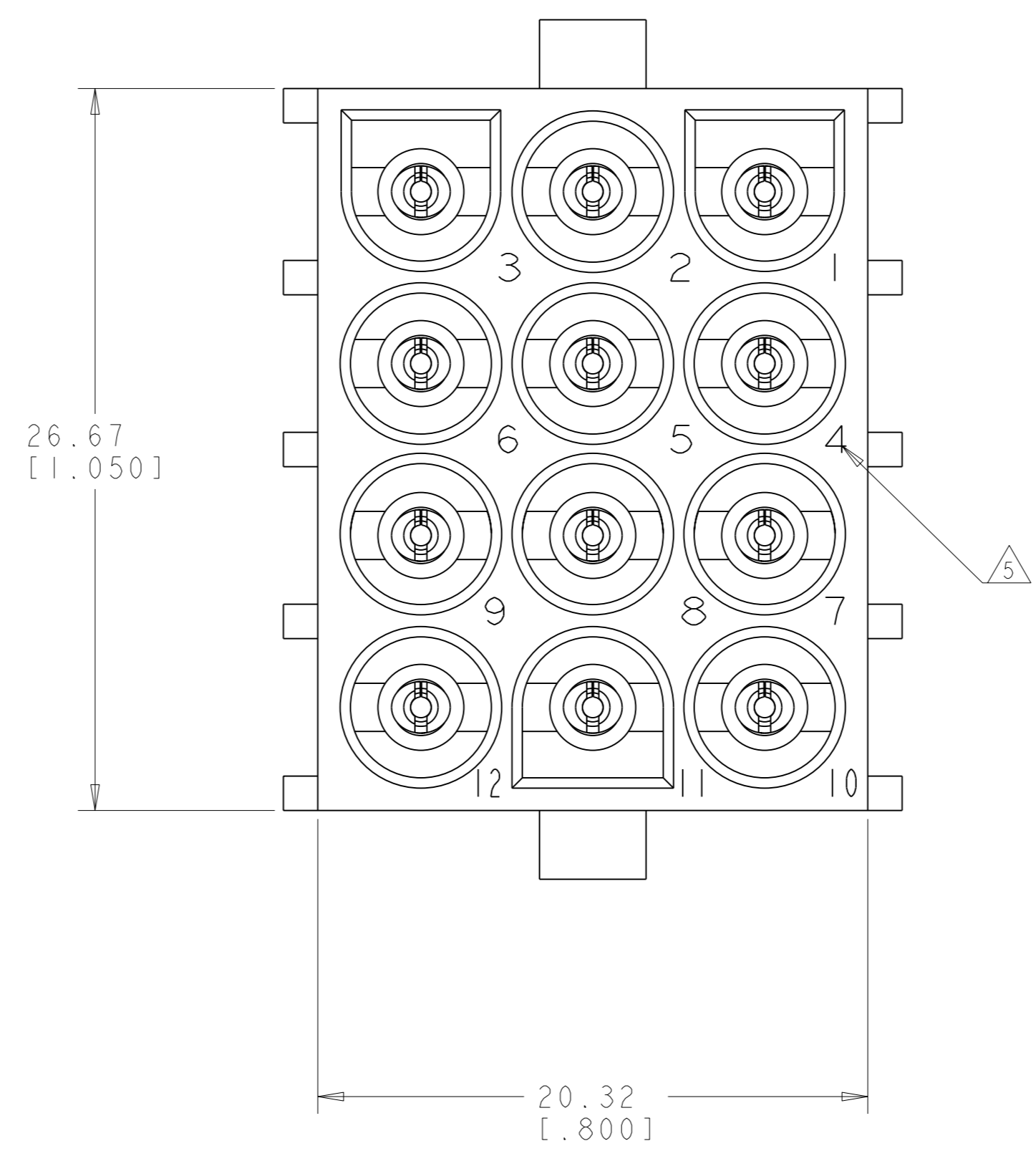
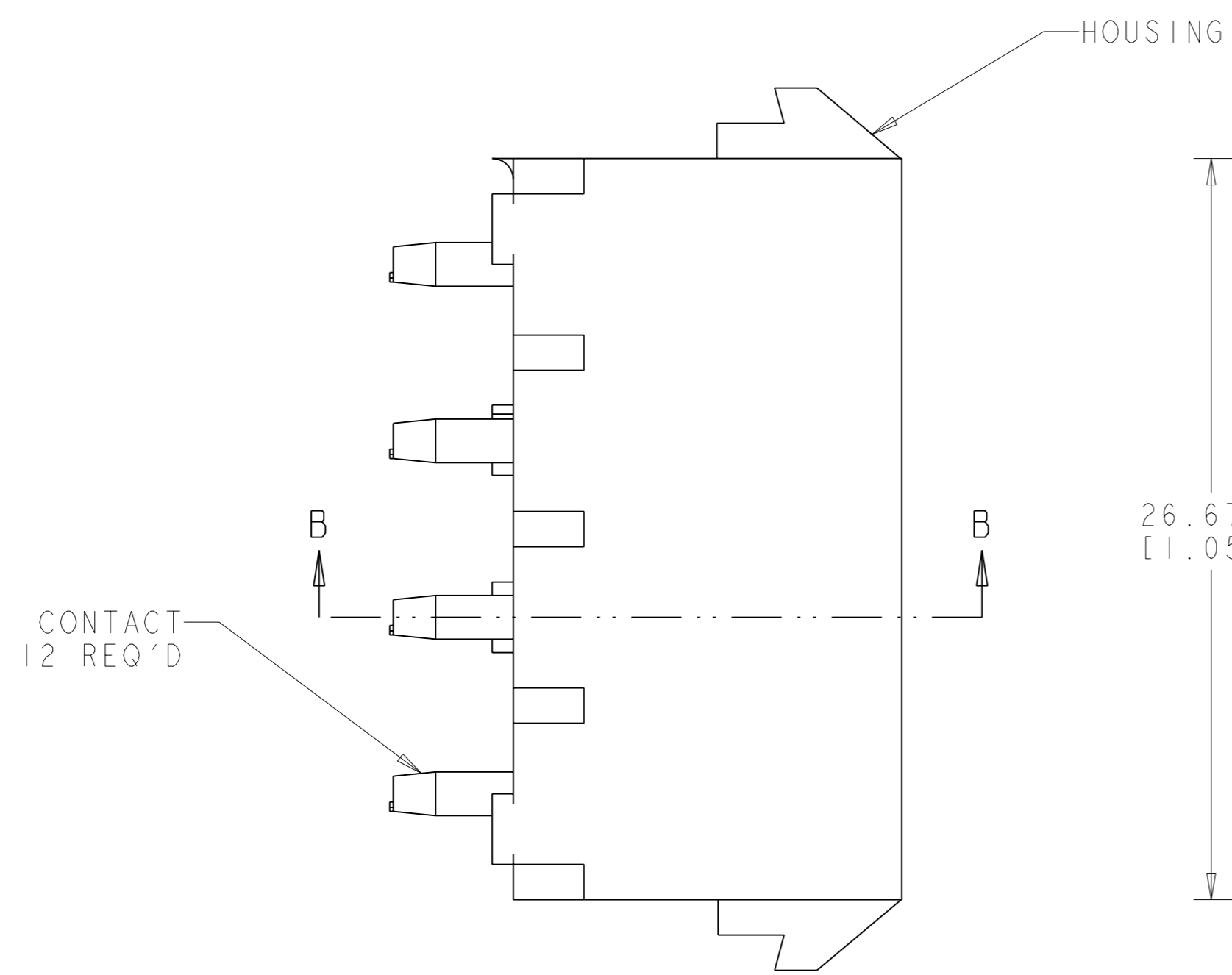
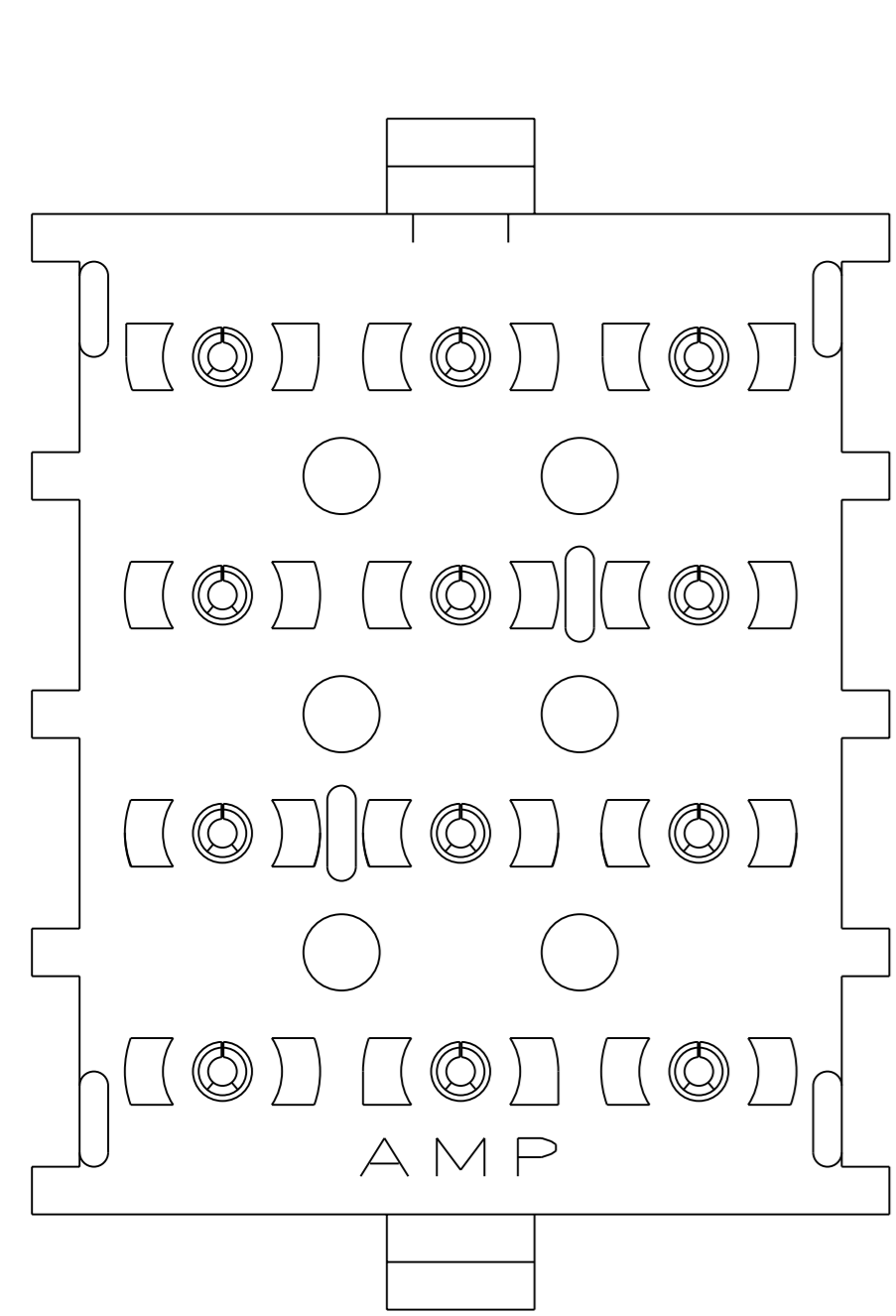
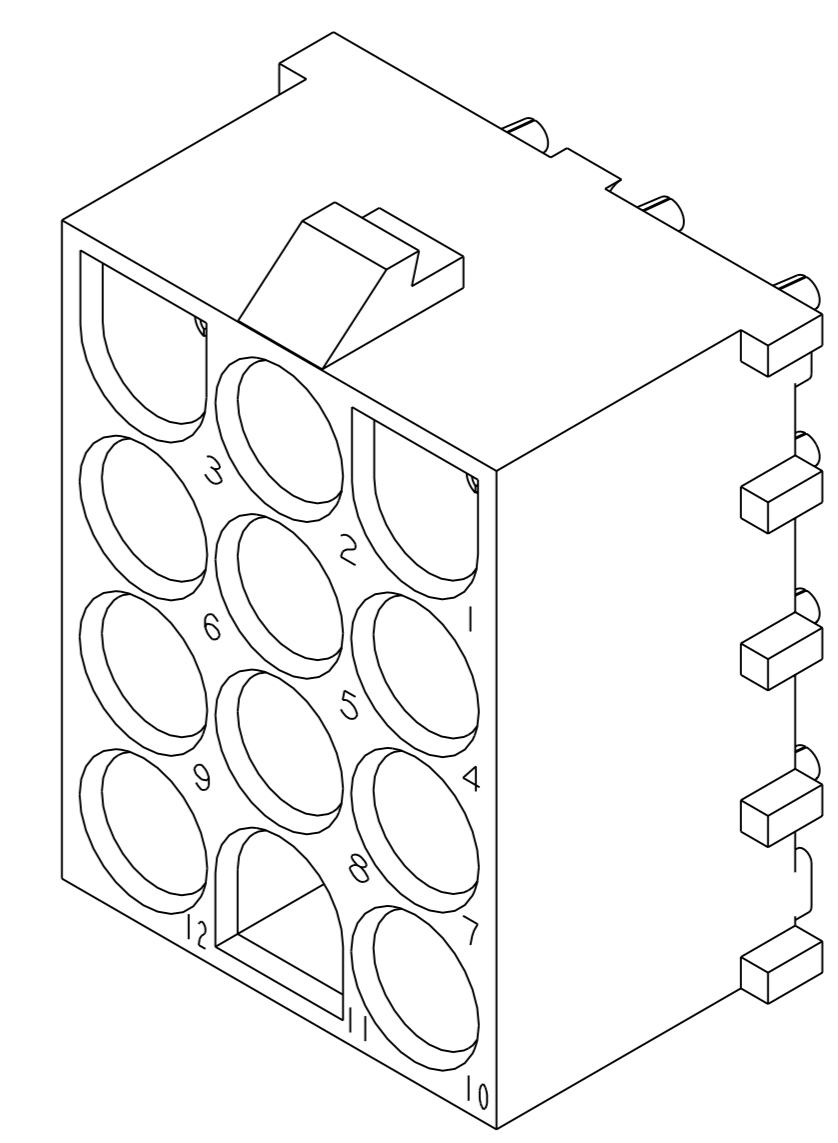


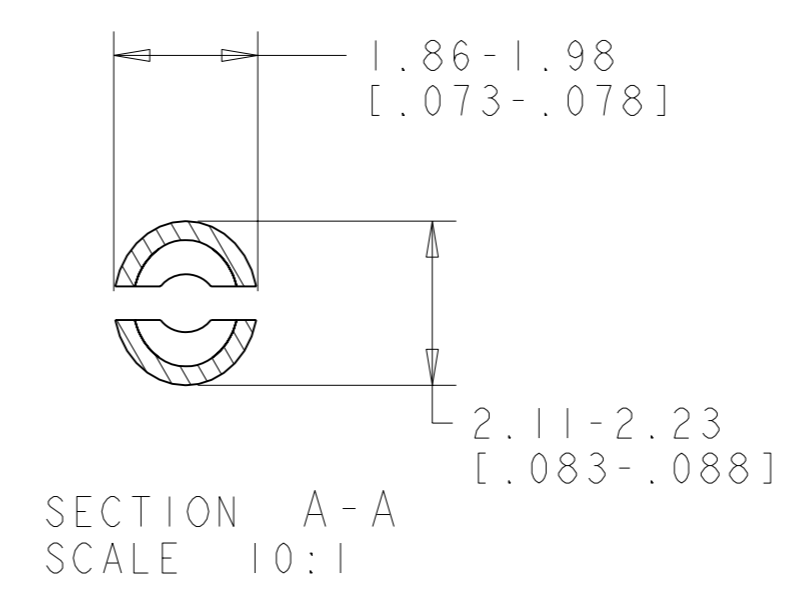
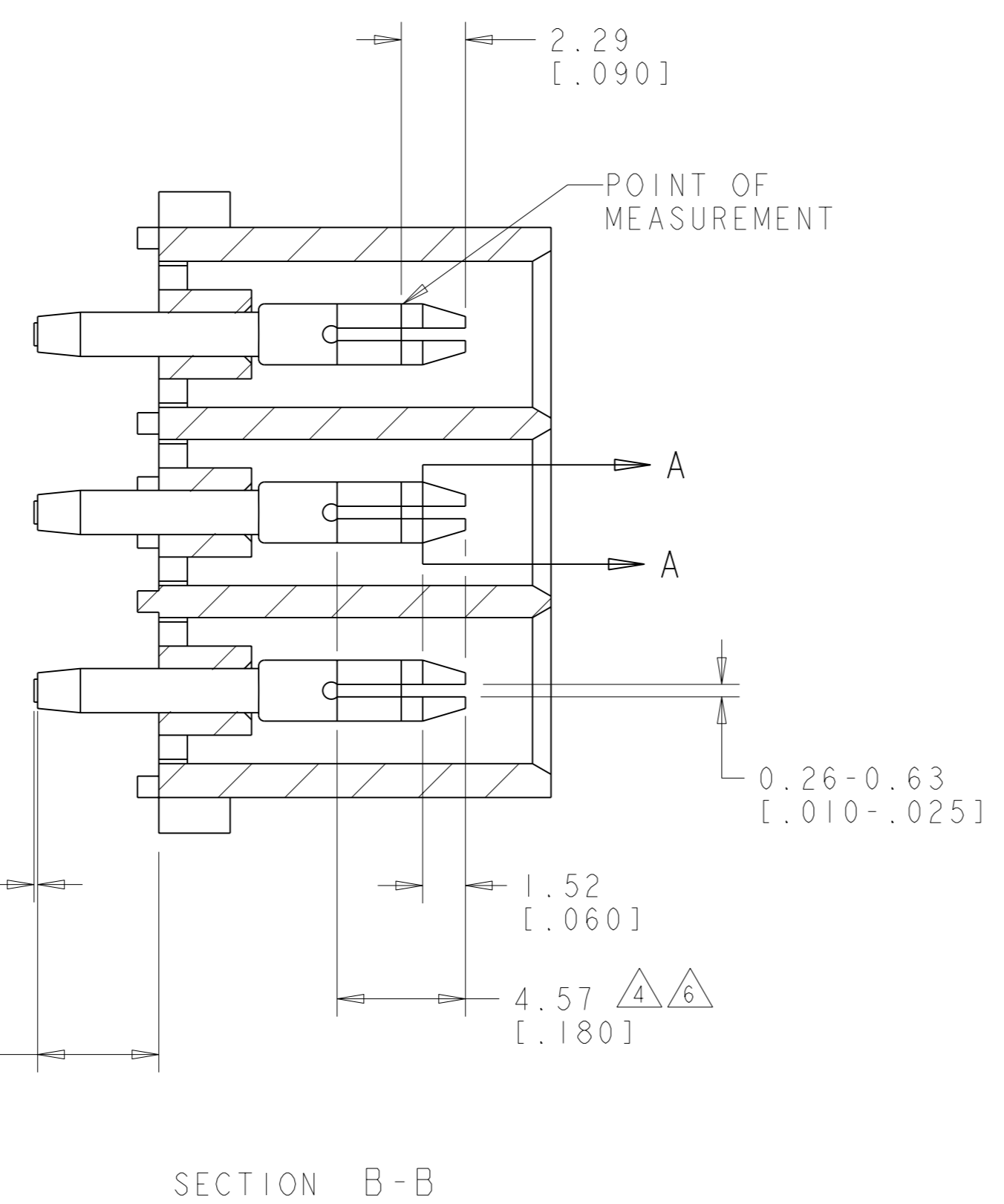
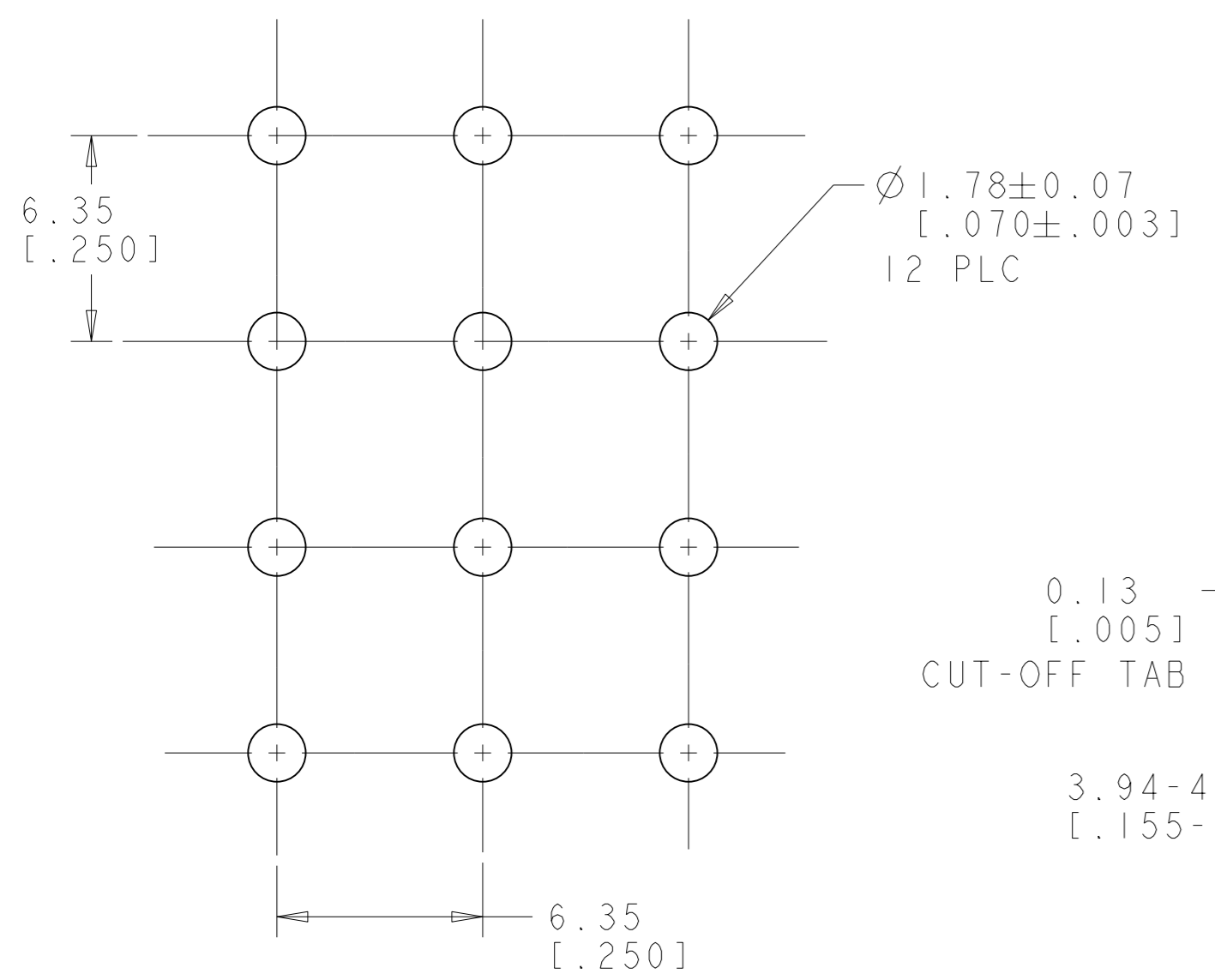
LOC		DIST		REVISIONS			
F	LTR	DESCRIPTION	DATE	DWN	APVD	SR	
M		REVISED PER 0G3B-1100-04	25JULY05	KW		SR	



1. MATES WITH HOUSING 350735.
- △ NOTE DELETED.
3. PARTS COMPLY TO AMP SOLDERABILITY SPECIFICATION 109-11-3.
- △ CONTACT IS PLATED OVERALL WITH 0.00127 [.000050] NICKEL, THEN 0.00076 [.000030] GOLD OVER CONTACT LENGTH INDICATED AND TIN LEAD ON SOLDER TAIL END.
- △ CIRCUIT IDENTIFICATION CHARACTERS ARE ADJACENT TO THE INDICATED CAVITIES, BUT LOCATION AND ORIENTATION MAY DIFFER FROM PRINT.
- △ CONTACT IS PLATED OVERALL WITH 0.00127 [.000050] NICKEL, THEN 0.00076 [.000030] GOLD OVER CONTACT LENGTH INDICATED AND MATTE TIN ON SOLDER TAIL END.
7. DIMENSIONS IN BRACKETS ARE IN INCHES.

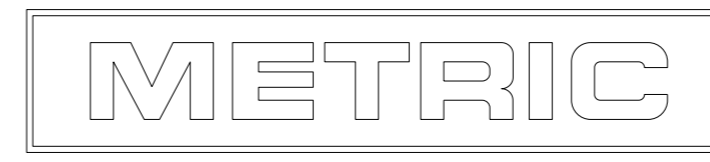


3 DIMENSIONAL MODEL  
SCALE 4:1



PIN CONTACT MATERIAL AND FINISH	HOUSING MATERIAL AND COLOR	PART NUMBER
PHOSPOR BRONZE, GOLD △6	NYLON, UL94V-0, NATURAL	350713-4
PHOSPOR BRONZE, GOLD △4	NYLON, UL94V-0, NATURAL	350713-2
PHOSPOR BRONZE, PRE-TIN	NYLON, UL94V-0, NATURAL	350713-1

RECOMMENDED MOUNTING HOLE PATTERN FOR 1.57 [.062] THICK P.C. BOARD HOLE THAT CORRESPONDS TO REMOVED CONTACT CAN BE OMITTED



DIMENSIONS: mm [INCHES]		TOLERANCES UNLESS OTHERWISE SPECIFIED:		DWN: K. WHITAKER 25JULY2005		Tyco Electronics Harrisburg, PA 17105-3608	
0 PLC	±	1 PLC	±	CHK: S. RIDGILL 25JULY2005	NAME: PIN HEADER ASSEMBLY, 12 CIRCUIT, UNIVERSAL MATE-N-LOK(TM)		
2 PLC	±	3 PLC	±	APVD: S. RIDGILL 25JULY2005	SIZE: A   00779   C=350713		
4 PLC	±	ANGLES	±	CUSTOMER DRAWING			
MATERIAL SEE TABLE				FINISH SEE TABLE			
SCALE 1:1				SHEET 1 OF 1			